

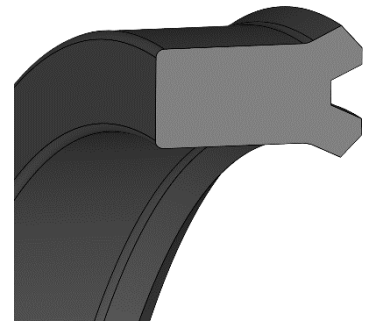


DICHTOMATIK

Any seal. Any time.

Online Product information

# N36



## DESCRIPTION

**Product group:** piston and rod seal

**Design:** N symmetrical u-ring

**Profile no.:** 36

**Specification:** E suitable for one-sided pressure load

**Material:** TPU 95

## OPERATIONAL APPLICATION LIMITS

Pressure (MPa):  $\leq 40$

Temperature (°C): -40 to +100

Running speed (m/s):  $\leq 0.5$

## MEDIA

- Hydraulic oils acc. to DIN 51524 Part 1 – 3
- Lubricating oils
- Mineral oil based lubricating greases
- Highly non-flammable hydraulic fluids HFA, HFB, HFC acc. to VDMA 24317

## FUNCTION

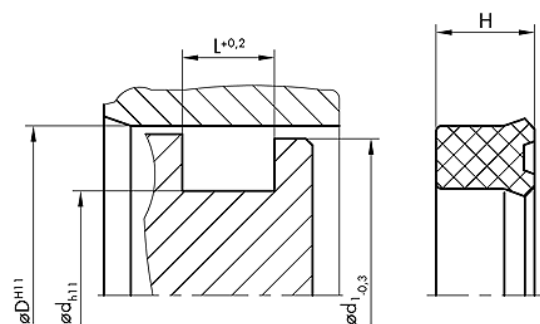
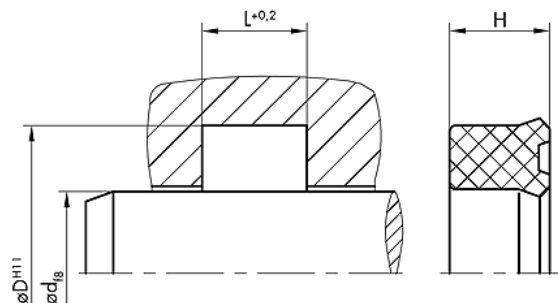
The N36 u-ring has a compact design which functions well in low pressure areas and attains a particularly long service life. The compact seal N36 has a symmetrical design which allows it to be used as a piston seal and as a rod seal.

## INSTALLATION

The N36 can be installed in cut grooves starting from an inner diameter of 25 mm with the use of suitable installation tools. With smaller diameters or larger profile widths, we recommend axially accessible installation housings.

## REMARKS

The KN 36 seal is also designed for installation housings conforming to ISO 5597. It is primarily used in ground conveyors, agricultural and injection moulding machines as well as in cylinders for mobile hydraulic platforms and steering cylinders.



[www.dichtomatik.com](http://www.dichtomatik.com)

a brand of  
 **FREUDENBERG**