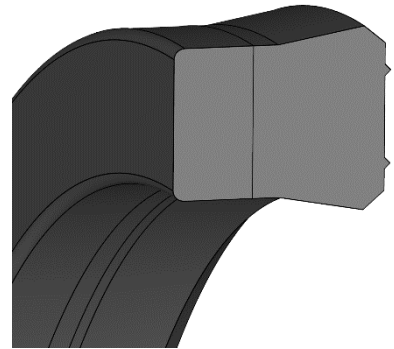


N05



DESCRIPTION

Baugruppe: piston and rod seal
Design: N symmetrical u-ring
Profile no.: 05
Specification: E suitable for one-sided pressure load
Seal material: NBR 80
Seal back: NBR fabric NBR F 80

OPERATIONAL APPLICATION LIMITS

Pressure (MPa): ≤ 20
 Temperature (°C): -30 to $+100$
 Running speed (m/s): ≤ 0.5

MEDIA

- Hydraulic oils acc. to DIN 51524 Part 1 – 3
- Lubricating oils
- Mineral oil based lubricating greases
- Highly non-flammable hydraulic fluids HFA, HFB, HFC acc. to VDMA 24317

FUNCTION

The u-ring N 05 is produced in a compact design which guarantees good functioning at low pressures. The N 05 has a symmetrical design that allows application as a piston and rod seal.

INSTALLATION

U-rings can be installed in both solid and split housings. Please note for a solid housing application a minimum width is necessary and suitable installation tools may be required.

REMARKS

The N 05 seal requires relatively small installation housings. Due to the compact fabric back, intrusion into the extrusion gap is prevented.

