

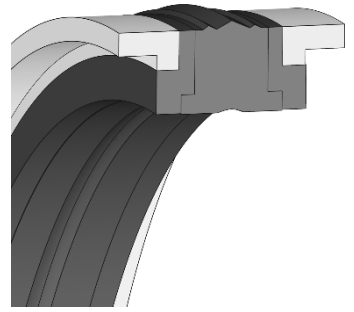


DICHTOMATIK

Any seal. Any time.

Online Product information

KK 03



DESCRIPTION

Product description: piston seal

Design: K compact seal

Profile no.: 03

Specification: Z suitable for two-sided pressure load

Model: STFA back-up ring with integrated outer guide element

Material: NBR 80

Back-up rings: TPE-E

Guide rings: POM

OPERATIONAL APPLICATION LIMITS

Pressure (MPa): ≤ 40

Temperature (°C): -30 to $+100$

Running speed (m/s): ≤ 0.5

MEDIA

- Hydraulic oils acc. to DIN 51524 Part 1 – 3
- Lubricating oils
- Mineral oil based lubricating greases
- Highly non-flammable hydraulic fluids HFA, HFB, HFC acc. to VDMA 24317

FUNCTION

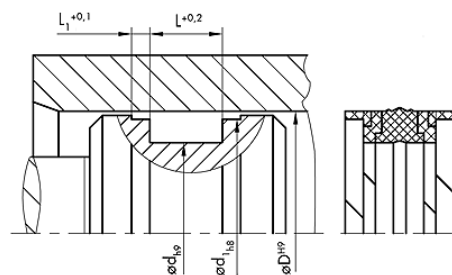
The KK 03 compact seal is a double-acting seal combined with back-up and guide elements. The KK 03 guarantees a good sealing function – also in low pressure areas. Due to the integrated guide elements, the piston length can be reduced to save material.

INSTALLATION

The KK 03 can be installed in a one-piece piston without any problems, i.e. installed in closed installation housings.

REMARKS

The KK 03 seal is frequently used across a wide range of applications. Simple installation and the possibility of economical piston manufacture are key attributes of this design. For special applications, the seal can also be supplied in different materials such as FKM etc.



www.dichtomatik.com

a brand of
FREUDENBERG